



Main

Range of product	Harmony XB5
Product or component type	Annunciator
Bezel material	Dark grey plastic
Mounting diameter	22 Mm
Head type	Standard
Cap/operator or lens colour	Black

Complementary

[Us] rated supply voltage	230...240 V +/- 10 %
Supply circuit type	AC
Supply frequency	50 Hz
Current consumption	<= 18 mA
Signalling type	Continuous or intermittent tone
Noise level	90 DB 6.8 kHz 0.1 m +/- 10 %
Resistance to high pressure washer	9000000 Pa at 80 °C, distance : 0.1 m
Height	29 Mm
Width	29 Mm
Depth	55 Mm
Product weight	0.024 Kg

Environment

Protective treatment	TH
Ambient air temperature for storage	-40...70 °C
Ambient air temperature for operation	-40...70 °C
Overvoltage category	Class II conforming to IEC 60536
Electrical shock protection class	Class II conforming to IEC 60536
IP degree of protection	IP20 IP66 IP67 IP69 IP69K
NEMA degree of protection	NEMA 4X NEMA 13
IK degree of protection	IK05 IK03

The information provided in this documentation contains general descriptions and/or technical characteristics of the products contained herein. This documentation is not intended as a substitute for and is not to be used for determining suitability or reliability of these products for specific user applications. It is the duty of any such user or integrator to perform the appropriate and complete risk analysis, evaluation and testing of the products with respect to the relevant specific application or use thereof. Neither Schneider Electric Industries SAS nor any of its affiliates or subsidiaries shall be responsible or liable for misuse of the information contained herein.

Standards	EN 60947-5-1 EN 60947-5-4 UL 508 JIS C8201-5-1 IEC 60947-5-1 IEC 60947-1 CSA C22.2 No 14 IEC 60947-5-4 EN 60947-1 JIS C8201-1 IEC 60529 EN 50102 IEC 50102
Product certifications	UL listed CSA BV

Packing Units

Unit Type of Package 1	PCE
Number of Units in Package 1	1
Package 1 Height	3.4 Cm
Package 1 Width	3.4 Cm
Package 1 Length	5.7 Cm
Package 1 Weight	28.0 G
Unit Type of Package 2	S01
Number of Units in Package 2	88
Package 2 Height	15.0 Cm
Package 2 Width	15.0 Cm
Package 2 Length	40.0 Cm
Package 2 Weight	2.715 Kg

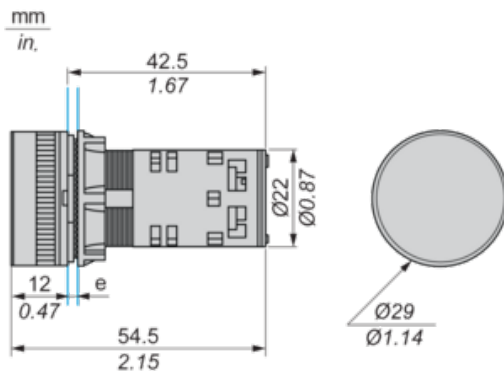
Offer Sustainability

Sustainable offer status	Green Premium product
REACH Regulation	REACH Declaration
EU RoHS Directive	Pro-active compliance (Product out of EU RoHS legal scope) EU RoHS Declaration
Mercury free	Yes
RoHS exemption information	Yes
China RoHS Regulation	China RoHS Declaration
Environmental Disclosure	Product Environmental Profile
WEEE	The product must be disposed on European Union markets following specific waste collection and never end up in rubbish bins

Contractual warranty

Warranty	18 months
----------	-----------

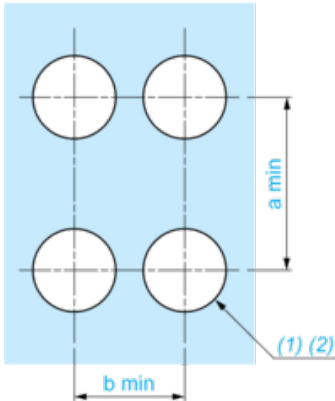
Dimensions



e: Clamping thickness: 1 to 6 mm / 0.04 to 0.24 in.

Panel Cut-out for Buzzer

Connection by Screw Clamp Terminals

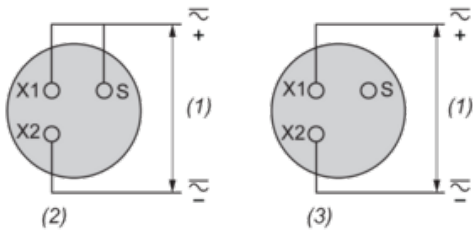


(1) Diameter on finished panel or support

(2) $\text{Ø}22.5 \text{ mm}$ recommended ($\text{Ø}22.3 \text{ }_0^{+0.4}$) / $\text{Ø}0.89 \text{ in.}$ recommended ($\text{Ø}0.88 \text{ in. }_0^{+0.016}$)

Connections	a in mm	a in in.	b in mm	b in in.
By screw clamp terminals or plug-in connector	40	1.57	30	1.18

Cabling of Annunciators



- (1) Supply
- (2) Intermittent
- (3) Continuous

Product Life Status :	Commercialised
-----------------------	----------------