



Main

| | |
|---------------------------|-------------------------|
| Range of product | Harmony XAC |
| Product or component type | Pendant control station |
| Device short name | XACA |

Complementary

| | |
|---------------------------------------|---|
| Control station type | Double insulated |
| Enclosure material | Polypropylene |
| Electrical circuit type | Control circuit |
| Enclosure type | Complete ready for use |
| Control station application | Control of single speed hoist motor |
| Control station composition | 2 push-buttons |
| Control button type | First push-button 1 NO raise, slow Second push-button 1 NO lower, slow |
| Product compatibility | ZB2BE101 for each direction |
| Mechanical interlocking | With mechanical interlocking |
| Control station colour | Yellow |
| Connections - terminals | Screw clamp terminals, 1 x 0.5...1 x 2.5 mm ² without cable end Screw clamp terminals, 1 x 0.5...2 x 1.5 mm ² with cable end |
| Standards | EN/IEC 60947-5-1 CSA C22.2 No 14 EN/IEC 60204-32 UL 508 |
| Product certifications | CCC GOST |
| Protective treatment | TH |
| Ambient air temperature for operation | -25...70 °C |
| Ambient air temperature for storage | -40...70 °C |
| Vibration resistance | 15 gn (f= 10...500 Hz) conforming to IEC 60068-2-6 |
| Shock resistance | 100 gn conforming to IEC 60068-2-27 |
| Overvoltage category | Class II conforming to IEC 61140 |
| IP degree of protection | IP65 conforming to IEC 60529 |
| IK degree of protection | IK08 conforming to EN 50102 |
| Mechanical durability | 1000000 Cycles |
| Cable entry | Rubber sleeve with stepped entry 8...26 mm |
| Contact code designation | A600 AC-15, Ue = 240 V, Ie = 3 A conforming to IEC 60947-5-1 appendix A A600 AC-15, Ue = 600 V, Ie = 1.2 A conforming to IEC 60947-5-1 appendix A Q600 DC-13, Ue = 250 V, Ie = 0.27 A conforming to IEC 60947-5-1 appendix A Q600 DC-13, Ue = 600 V, Ie = 0.1 A conforming to IEC 60947-5-1 appendix A |

The information provided in this documentation contains general descriptions and/or technical characteristics of the performance of the products contained herein. This documentation is not intended as a substitute for and is not to be used for determining suitability or reliability of these products for specific user applications. It is the duty of any such user or integrator to perform the appropriate and complete risk analysis, evaluation and testing of the products with respect to the relevant specific application or use thereof. Neither Schneider Electric Industries SAS nor any of its affiliates or subsidiaries shall be responsible or liable for misuse of the information contained herein.

| | |
|--|--|
| [Ithe] conventional enclosed thermal current | 10 A |
| [Ui] rated insulation voltage | 600 V (pollution degree 3) |
| [Uimp] rated impulse withstand voltage | 6 KV conforming to IEC 60947-1 |
| Contact operation | Slow-break |
| Maximum resistance across terminals | 25 MOhm |
| Operating force | 10 N push-button |
| Short-circuit protection | 10 A fuse protection by cartridge fuse type gG |
| Rated operational power in W | 40 W DC-13 for 1000000 cycles, operating rate <60 cyc/mn at 120 V, load factor = 0.5 (inductive load) conforming to IEC 60947-5-1 appendix C 48 W DC-13 for 1000000 cycles, operating rate <60 cyc/mn at 48 V, load factor = 0.5 (inductive load) conforming to IEC 60947-5-1 appendix C 65 W DC-13 for 1000000 cycles, operating rate <60 cyc/mn at 24 V, load factor = 0.5 (inductive load) conforming to IEC 60947-5-1 appendix C |
| Terminals description ISO n°1 | (13-14)NO |
| Terminal identifier | (13-14)NO (11-12)NC |
| Product weight | 0.475 Kg |

Packing Units

| | |
|------------------------------|-----------|
| Unit Type of Package 1 | PCE |
| Number of Units in Package 1 | 1 |
| Package 1 Height | 9.000 Cm |
| Package 1 Width | 8.500 Cm |
| Package 1 Length | 34.500 Cm |
| Package 1 Weight | 500.000 G |
| Unit Type of Package 2 | P06 |
| Number of Units in Package 2 | 60 |
| Package 2 Height | 73.500 Cm |
| Package 2 Width | 80.000 Cm |
| Package 2 Length | 60.000 Cm |
| Package 2 Weight | 43.420 Kg |

Offer Sustainability

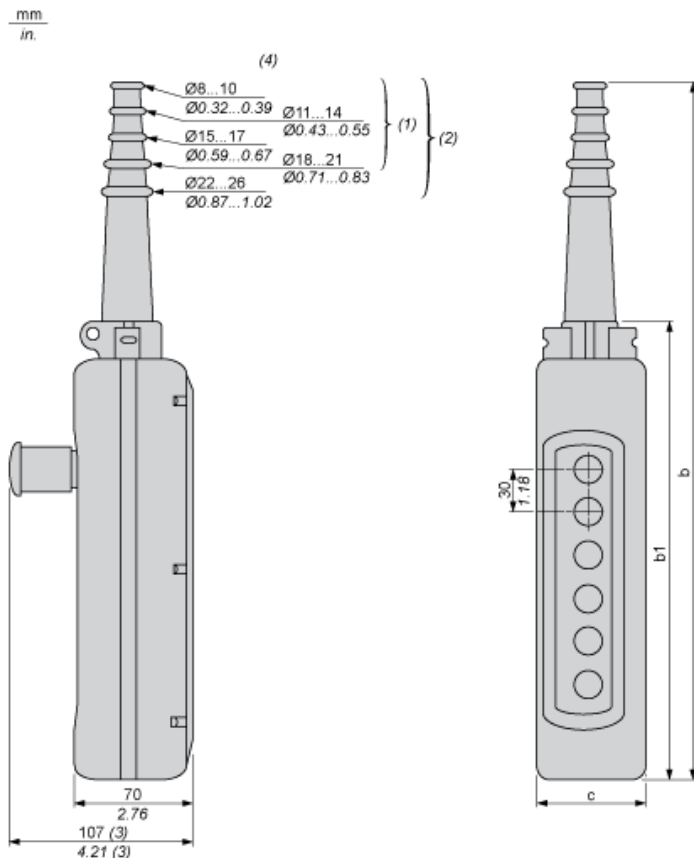
| | |
|----------------------------|---|
| Sustainable offer status | Green Premium product |
| REACH Regulation | REACH Declaration |
| REACH free of SVHC | Yes |
| EU RoHS Directive | Pro-active compliance (Product out of EU RoHS legal scope) EU RoHS Declaration |
| Toxic heavy metal free | Yes |
| Mercury free | Yes |
| RoHS exemption information | Yes |
| China RoHS Regulation | China RoHS Declaration |
| Environmental Disclosure | Product Environmental Profile |
| WEEE | The product must be disposed on European Union markets following specific waste collection and never end up in rubbish bins |

Contractual warranty

| | |
|----------|-----------|
| Warranty | 18 months |
|----------|-----------|

Dimensions

Below drawing shows a product with 6 cut-outs. Select the number of cut-outs according to the product characteristics in order to get b, b1 and c dimensions.



- (1) For 2 and 3-way XAC A stations.
- (2) For 4 to 8-way XAC A stations.
- (3) With trigger action Emergency stop head operator
- (4) Internal \varnothing

Dimensions in mm

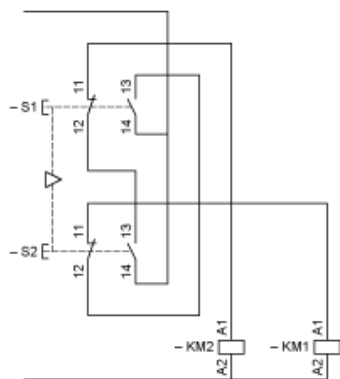
| Number of cut-outs | 2 | 3 | 4 | 5 | 6 | 8 | 12 |
|--------------------|-----|-----|-----|-----|-----|-----|-----|
| b | 314 | 314 | 440 | 440 | 500 | 560 | 680 |
| b1 | 190 | 190 | 250 | 250 | 310 | 370 | 490 |
| c | 80 | 80 | 80 | 80 | 80 | 80 | 92 |

Dimensions in in.

| Number of cut-outs | 2 | 3 | 4 | 5 | 6 | 8 | 12 |
|--------------------|-------|-------|-------|-------|-------|-------|-------|
| b | 12.36 | 12.36 | 17.32 | 17.32 | 19.68 | 22.05 | 26.77 |
| b1 | 7.48 | 7.48 | 9.84 | 9.84 | 12.20 | 14.57 | 19.29 |
| c | 3.15 | 3.15 | 3.15 | 3.15 | 3.15 | 3.15 | 3.62 |

Control of Single-Speed Reversing Motor

With ZBE2BE101 + ZB2BE102 contacts blocks, to be ordered separately

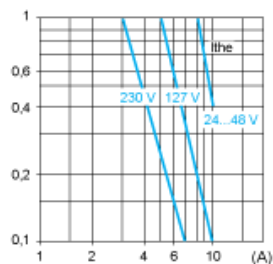


Rated Operational Power

AC Supply 50/60 Hz Inductive Circuit

Operating rate: 3600 operating cycles/hour. Load factor: 0.5.

Millions of operating cycles, AC-15 utilization category



I_{the} Thermal current
(A) Current

DC Supply

Operating rate: 3600 operating cycles/hour. Load factor: 0.5.

Power broken in W for 1 million operating cycles, DC-13 utilization category

| Voltage | V | 24 | 48 | 120 |
|-------------------|---|----|----|-----|
| Inductive circuit | W | 65 | 48 | 40 |

Product Life Status : **Commercialised**